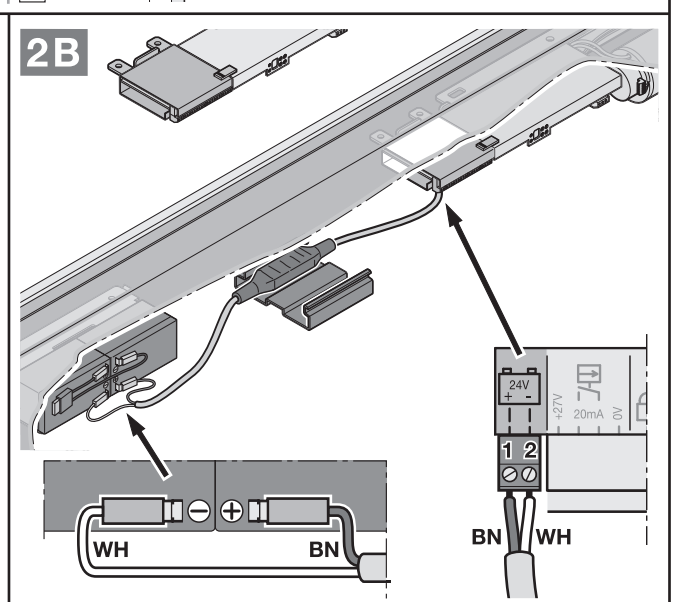
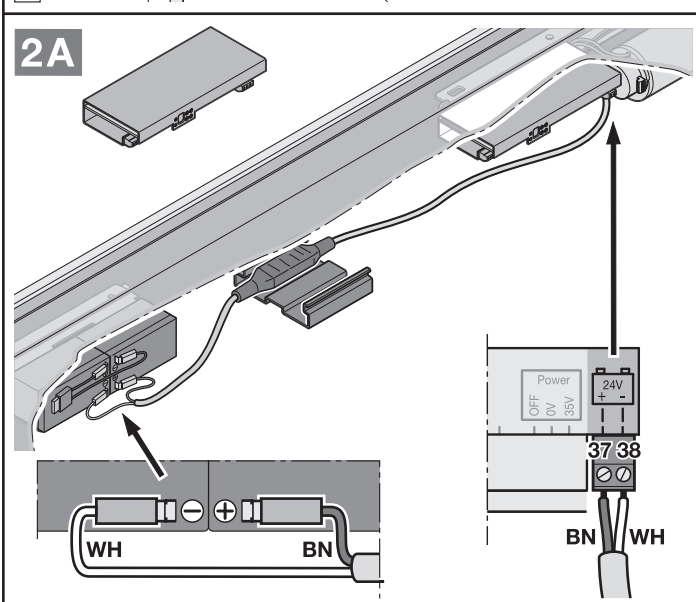
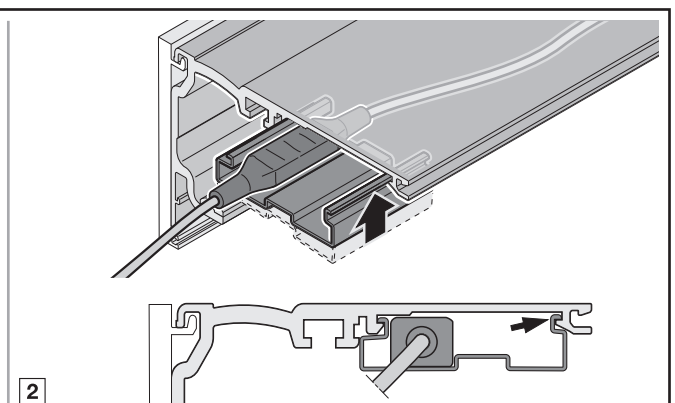
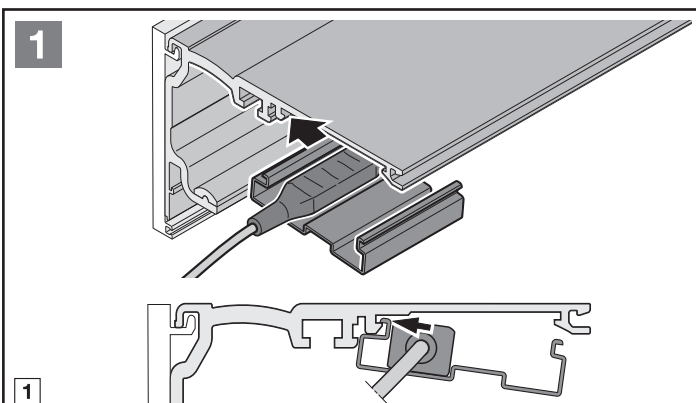


TR30M001 RE / 01.2013



TR30M001 RE / 01.2013